



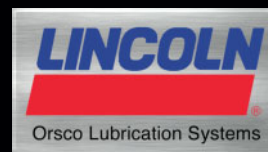
Guide To Advanced Oven Chain Lubrication Systems and Lubricants



The LINCOLN / ORSCO® VSR
Automatic Lubrication System



Two Great Names - Better Chain Lubrication



■ The LINCOLN - ORSCO® VSR Automatic Lubrication System



VSR system uses existing electrical controls.

Clearly The Best Way to Properly Lubricate and Maintain Oven Chains.

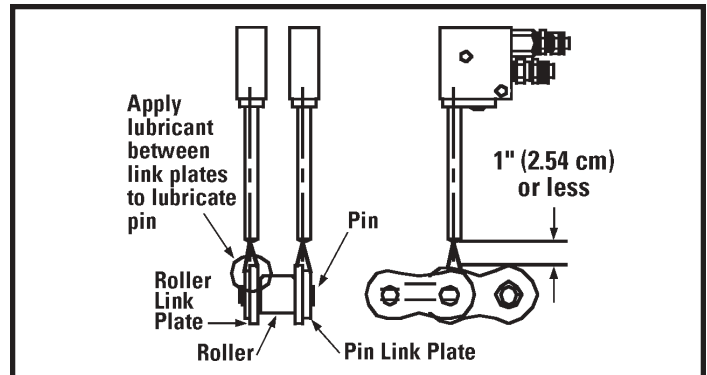
- **Delivers the proper amount of oil, where and when it is required.**
- **Provides cleaner, longer lasting chains.**
- **Reduces overall lubricant consumption**
- **Reduces downtime and operating expenses.**
- **Provides energy savings.**



The Model 170 system features dedicated controls and optional circulating pump for use with Synthetic BOC suspended particle oils.

The system is ideal for a wide range of applications including: bakery oven chains, drying oven chains, tenter frame chains, heat treating chains, paint curing oven chains and other conveyor chains where proper lubrication must be maintained.

The valve stack, the heart of the LINCOLN / ORSCO system, can serve up to 8 spray nozzles. Multiple valve stacks may be used to serve additional nozzles.



The LINCOLN / ORSCO system automatically applies the proper oil volume to the pin area of the chain in either a continuous or pulse manner. The pulse method is typically used for slow speed, large pitch applications.

Complete package or modular components available.

The model 170, with programmable relay control, provides the greatest flexibility. The VSR system with oil reservoir is available for use with existing electrical controls. A wide variety of spray nozzles are available to serve any application.

The compact modular design, can easily be retrofitted and adapted to most equipment and applications.

ORSCO model numbers R-4 (4 point units for tunnel ovens) and R-6 (6 point units for tortilla ovens) are equipped with fluid agitators to ensure proper and continuing dispersion of solid lubricant particles.

For more information contact your regional Lubriplate District Manager (Listed on back cover).

■ Lubriplate Synthetic High Temp Fluids 68 & 220.

The Right Lubricants For Most Industrial Oven Chain Applications Where Maintaining a Clean Lubricated Surface is Required.

- Eliminates carbon build-up on chains.
- Contains no harmful VOCs which pollute the atmosphere.
- Advanced ester chemistry reduces friction, wear and energy costs.
- High temperature capability reduces the risk of oven fires.
- Superior film strength reduces oil consumption and reduces smoke.

These 100% ester based synthetic lubricants are recommended for use on bakery oven chains, drying oven chains, tenter frame chains, heat treating chains, paint curing oven chains and any other type of bearing/slide/gearbox applications where they are exposed to high operating temperatures and must maintain a clean lubricated surface. Available in ISO viscosity grades 68 and 220. Proven successful in applications in excess of 600°F / 316°C.



LUBRIPLATE PRODUCT	*PRODUCT PART NO.	ISO GRADE	AGMA NO.	SAE GEAR OIL NO.	VIS. cSt @ 40°C / 100°C	VIS. SUS @ 100°F / 210°F	VIS. INDEX	FLASH POINT	FIRE POINT	POUR POINT
SYN High Temp 68	L0778-	68	2	80W	74 / 11	364 / 58	109	554°F / 290°C	640°F / 338°C	-25°F / -32°C
SYN High Temp 220	L0780-	220	5	90	220 / 19	1112 / 102	92	525°F / 274°C	580°F / 304°C	-5°F / -21°C

*Synthetic High Temp 68 and Synthetic High Temp 220 are available in Pails (Package Part Number Suffix -060) & Drums (Package Part Number Suffix -062).

■ SYN BOC FG-68 & 220: Synthetic, Food Grade, Oven Chain Lubricants.

The Right Choice for Bakery Oven Chains and Where a Non-Toxic, Biodegradable, NSF H-1 Registered Food Grade Lubricant is Desired.

- Advanced, high-performance, synthetic chain lubricants.
- Designed for extremely high temperature applications.
- Biodegradable / environmentally friendly, imparts no residue, no VOCs.
- NSF H-1 Registered, food machinery grade.
- Excellent coefficient of friction reduces energy requirements.

These unique high-performance, bio-based, biodegradable, NSF H-1 registered, food grade lubricants are manufactured and fortified with boron nitride. The boron nitride will provide a light clean lubricating powder after the bio-based oil cleanly dissipates. Designed for high temperature applications, they will lubricate at extremely high temperatures up to 1000°F. They deliver performance advantages far beyond that of black graphite, PTFE and molybdenum disulfide-based lubricants. Designed for many types of oven chain applications, both food grade and non food grade, including: bakery ovens, paint curing lines, drying ovens, tenter frame applications, etc. Low volatility for increased fire safety. Agitation is required before use of the SYN BOC Fluids to ensure even distribution of the solid lubricant particles. Some drums are equipped with agitators. Ask your Lubriplate district manager.

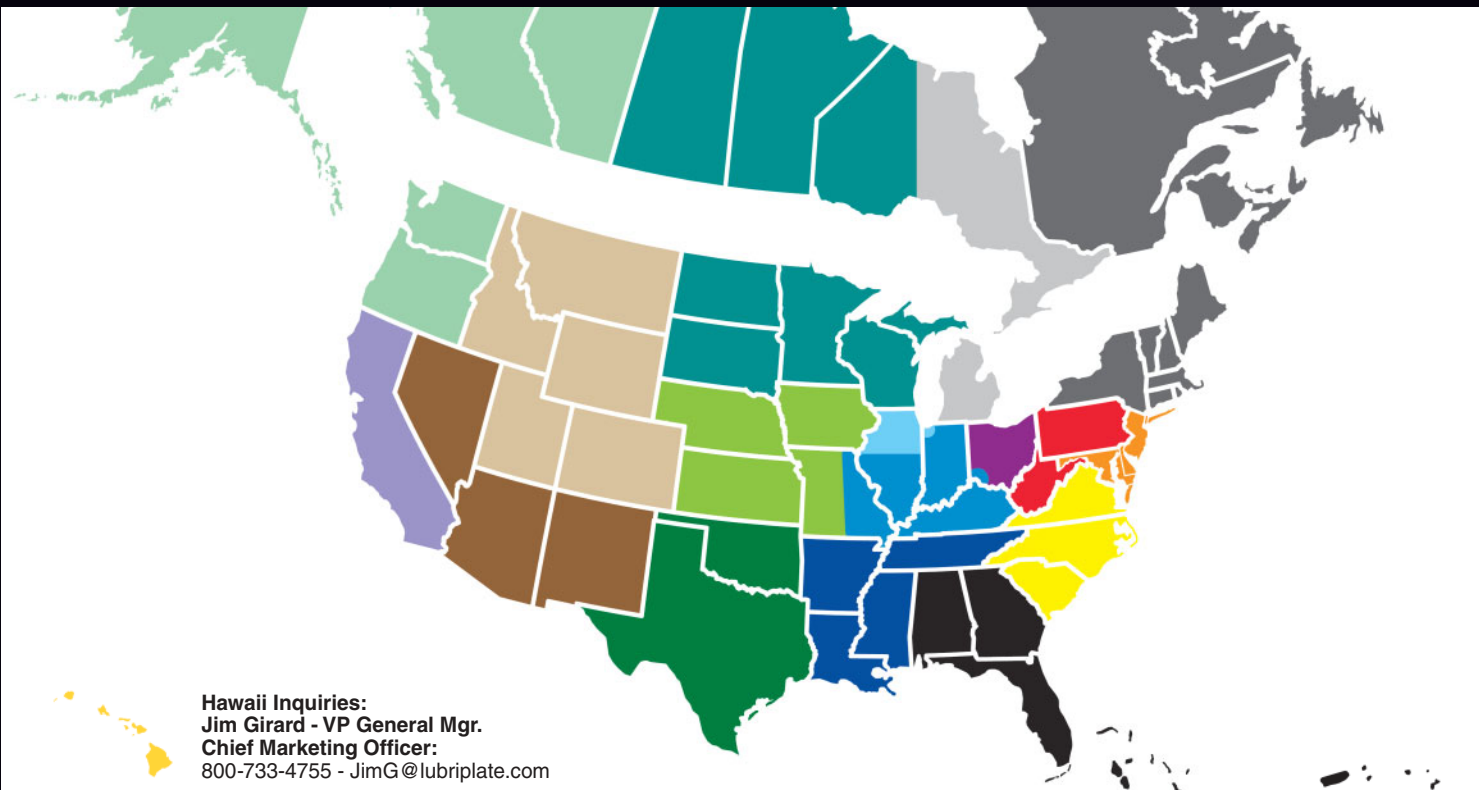


LUBRIPLATE PRODUCT	*PRODUCT PART NO.	ISO VIS. GRADE	AGMA NO.	SAE GEAR OIL NO.	SAE NO.	VIS. cSt @ 40°C / 100°C	VIS. INDEX	FLASH POINT	FIRE POINT	POUR POINT
SYN BOC FG-68	L0955-	68	2	80	20	68 / 13	187	590°F / 332°C	-	-28°F / -33°C
SYN BOC FG-220	L0960-	220	5	90	50	219 / 36	214	588°F / 306°C	645°F / 337°C	-25°F / -32°C

*SYN BOC FG-68 and SYN BOC FG-220 are available in Pails (Package Part Number Suffix -060) & Drums (Package Part Number Suffix -062).

Lubriplate SYN BOC FG-68 and SYN BOC FG-220 are NSF H-1 Registered and manufactured with ingredients that comply with FDA regulation 21 CFR 178.3570. They are authorized for use where incidental contact with the edible product is possible. Their use can eliminate lubrication as a potential chemical hazard in HACCP programs.

For Replacement Fluid Contact Your Regional Lubriplate District Manager



Hawaii Inquiries:
Jim Girard - VP General Mgr.
Chief Marketing Officer:
 800-733-4755 - JimG@lubriplate.com

Western Region: Central Region: Eastern Region:

Steve Paule - Regional Mgr.
 602-690-0458
 SteveP@lubriplate.com

**Tim Cusack - Central Regional Manager
 and Assistant Vice President**
 800-733-4755 / TimC@lubriplate.com

Dick Schettino - Eastern Regional Manager
 800-733-4755
 DickS@lubriplate.com

District Managers:

Alexander Taylor
 5709 Camelot Drive SW
 Olympia, WA 98512
 360-808-0953
 360-357-6216 (Fax)
 ataylor@lubriplate.com

District Managers:

Bill Outhouse
 5142 County Highway A
 Oregon, WI 53575-2708
 608-835-5689
 608-835-6423 (Fax)
 bouthouse@lubriplate.com

Chris Franzoni
 21653 Kendyl Court
 Macomb, MI 48044
 586-530-6922 (Cell)
 cfranzoni@lubriplate.com

District Managers:

Michael Barto
 44 North Cope Hill Drive
 Lititz, PA 17543
 717-665-0424
 717-665-0425 (Fax)
 mbarto@lubriplate.com

Jim Zappulla
 176 Tobacco Street
 Lebanon, CT 06249
 860-450-0222
 jzappulla@lubriplate.com

Dan O'Brien
 1359 East Skyview Drive
 Salt Lake City, UT 84124
 801-550-0383
 dobrien@lubriplate.com

Dennis E. King
 20902 West 118th Terrace
 Olathe, KS 66061
 913-839-8444 (Office & Fax)
 913-424-7404 (Cell)
 dking@lubriplate.com

Scott Besedick
 1219 Elliston Court
 Crown Point, IN 46307
 219-661-8712
 219 661-9069 (Fax)
 sbesedick@lubriplate.com

David Reh
 142 Andrew Street
 Hamilton, NJ 08610
 609-278-5876
 dreh@lubriplate.com

Francis Gondouin
 216 El Prado
 San Rafael, CA 94903
 415-279-0609
 fgondouin@lubriplate.com

Don Wrocklage
 2330 Winegarden Court
 Ballwin, MO 63011
 636-458-0094
 636-458-7549 (Fax)
 dwrocklage@lubriplate.com

Kim Henricks
 414 Winter St.
 Elmore, OH 43416
 419-862-7603
 419-862-7903 (Fax)
 khenricks@lubriplate.com

Robert A. Reh Jr.
 5312 Meadow Chase Rd.
 Midlothian, VA 23112
 804-739-7087
 rrehjr@lubriplate.com

Roger Thostenon
 1329 Auburn Place
 Plano, TX 75093
 972-998-0344
 972-403-3801 (Fax)
 rthostenon@lubriplate.com

Nick Guerrero
 973-934-1929
 nguerrero@lubriplate.com
 States Covered:
 TN.; AR.; LA.; MS.

Lee Myers
 PMB 290 / 3948 S. Third St.
 Jacksonville Bch., FL 32250
 904-221-0557
 904-221-1025 (Fax)
 lmyers@lubriplate.com

Specialists:

Vice President & Gen Mgr.
International Inquiries:
Chief Marketing Officer:
Jim Girard - 800-733-4755
 JimG@lubriplate.com

**Assistant Vice President
 Domestic Sales & Service
 Inquiries:**
Tim Cusack - 800-733-4755
 TimC@lubriplate.com

Vice President, Sales:
Steve Morrow -
 Office: 1-973-589-9150
 Cell: 1-973-722-6516
 SMorrow@lubriplate.com

**Technical Service Center
 Director of Technology:**
Iliana Vargas -
 800-733-4755
 lVargas@lubriplate.com

**Sales & Technical Assistant
 to Chief Marketing Officer:**
Vera Tehayel - 973-589-9150
 VeraT@lubriplate.com

Toledo Sales Director:
Mike Kontak -
 419-691-2491
 MikeK@lubriplate.com

Quality Manager:
Jacki Dusza -
 419-691-2491
 JackiD@lubriplate.com

**Director of Information
 Technology:**
Dan Moroses - 973-465-5737
 DanM@lubriplate.com

Lubriplate Lubricants Company

129 LOCKWOOD STREET / NEWARK, NJ 07105 / PHONE 800-733-4755 / FAX 800-347-5329
 TOLEDO, OH OFFICE / PHONE 419-691-2491 / FAX 800-347-5348